

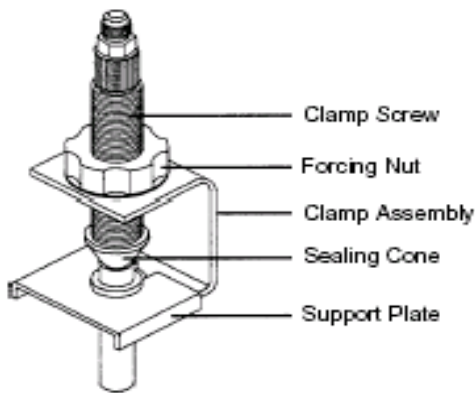
HECAT FAD-100

Universal A/C Adapter Kit

PATENT PENDING

Perfect for Flushing & Vacuum Testing A/C Components

- For use with many types of flush equipment and methods.
- Can be installed on most foreign and domestic A/C hose or component tube stub ends.
- **NEW:** Now includes 90 durometer Buna-N Rubber sealing cones for a more positive seal to vacuum & Pressure test components.
- Seating of the sealing cone into the fittings or tube ends does not require any tools.
- Slotted support plates allow for different size tubes or line nuts to be supported.
- Chamfered areas on the support plates will allow the flared end of the tubes to sit level.
- The clamp screw terminates with a 1/4" male refrigerant flare to allow for universal use.
- The internal flow path of all components is 0.250" minimum to allow for high flow flushing.



Included in this Kit:

- (1) #300031 - Storage Case (w/ foam insert)
- (2) #300012 - Zinc Plated U-Clamp
- (2) #300013 - Zinc Plated Clamp Screw
- (2) #300014 - Solid Brass Forcing Nut
- (2) #300024 - Support Plate (1/2" tube)
- (2) #300023 - Support Plate (5/8" tube)
- (2) #300022 - Support Plate (3/4" tube)
- (2) #300021 - Support Plate (7/8" tube)
- (2) #300020 - Support Plate (blank for manifolds)
- (2) #300017 - 3/8" Tube Seal (UHMW)
- (2) #300018 - Cone Shaped Seal (UHMW)
- (2) #300018B - Cone Shaped Seal (Buna N)
- (2) #300019 - Concave Seal (UHMW)

If used properly, this tool will not damage A/C lines or connections. The technician is responsible to ensure of this tools proper use and Hecat is not responsible for any damage done due to the misuse of this tool. Because of ongoing product improvements, we reserve the right to change design, specifications, and materials without notice.

This Kit is available for individual purchase.

NOTE: This Kit is included with the purchase of the following A/C Flushers (FAC-200, FAC-300, FAC-400, H1000).

